



# SERIES P3™ PNEUMATIC HAND PRESS

The **PEMSERTER® Series P3 fastener installation press** is a portable power hand tool weighing only 4.6 kg. / 10 lbs. that can develop a squeezing force of 22.2kN / 5,000 lbs.

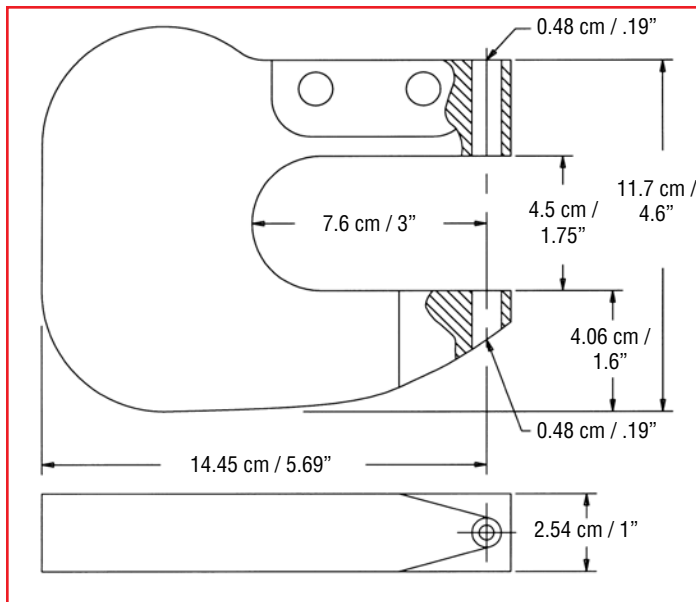
With the PEMSERTER Series P3 press, you can easily install self-clinching nuts and studs in metric or unified sizes. The metric press kit contains punches and anvils to install nuts (S, CLS, and CLA) ranging from M2 thru M4 thread sizes and studs (FH, FHS, and FHA up to 12mm in length) ranging from M2.5 thru M4 thread sizes. The unified press kit contains punches and anvils to install nuts and studs up to 0.5" in length ranging from #2-56 thru #8-32 thread sizes.



## Specifications

Ram Force	Up to 22.2 kN / 5,000 lbs.
Pressure System Type	Pneumatic
Air Requirements*	6 to 7 BAR / 90 to 100 PSI
Throat Depth	7.6 cm / 3"
Length	40.6 cm / 16"
Yoke Depth	15.8 cm / 6.2"
Weight	4.6 kg / 10 lbs.

\*1 psi = 0.07 bar. 1 bar = 14.5 psi.



## Features and Benefits

- ▶ Pneumatic power for consistency and simple operation. Requires shop air only.
- ▶ Trigger controlled safety.
- ▶ Snap-in tooling changeover.
- ▶ Press includes metric or unified tooling.
- ▶ Can be bench-mounted. Back side of yoke has two predrilled and tapped holes for bench mounting. Mounting bracket hardware included.
- ▶ One-year parts warranty.

Specifications subject to change without notice.  
Check our website for the most current version of this bulletin.

© 2008, PennEngineering

**PennEngineering®**



**North America:** Danboro, PA USA • E-mail: [info@pemnet.com](mailto:info@pemnet.com) • Tel: +1-215-766-8853 • Fax: +1-215-766-0143 • 800-237-4736 (USA Only)  
**Europe:** Galway, Ireland • E-mail: [europe@pemnet.com](mailto:europe@pemnet.com) • Tel: +353-91-751714 • Fax: +353-91-753541  
**Asia/Pacific:** Singapore • E-mail: [singapore@pemnet.com](mailto:singapore@pemnet.com) • Tel: +65-6-745-0660 • Fax: +65-6-745-2400  
 Shanghai, China • E-mail: [china@pemnet.com](mailto:china@pemnet.com) • Tel: +86-21-5868-3688 • Fax: +86-21-5868-3988

Visit our PEMNET™ Resource Center at [www.pemnet.com](http://www.pemnet.com)

**PSP3\_MM-408**  
Rev. 211



# MICRO-MATE<sup>®</sup>

## HAND TOOL

The **PEMSERTER<sup>®</sup> MICRO-MATE<sup>®</sup> press** is a versatile hand tool weighing only 1.25 kg / 2 3/4 lbs. that can develop a squeezing force of 1,134 kg / 2,500 lbs.

The press kit contains one hand tool, one flat punch, seven punches and dies, one punch adapter bushing, one edge-depth guide, five fastener anvils and a storage case. The metric kit installs nut sizes M2 to M5, while the unified kit installs nut sizes #2-56 to #10-32.

### Features and Benefits

- ▶ Equipped with punches and dies to punch fastener mounting holes in metal sheets.
- ▶ Changes to a flat punch and recessed anvil to easily install metric or unified self-clinching nuts.
- ▶ Ideal for prototype shops or short production runs.
- ▶ One-year parts warranty.



*Specifications subject to change without notice.  
Check our website for the most current version of this bulletin.*

© 2008, PennEngineering

**PennEngineering<sup>®</sup>**



**North America:** Danboro, PA USA • E-mail: [info@pemnet.com](mailto:info@pemnet.com) • Tel: +1-215-766-8853 • Fax: +1-215-766-0143 • 800-237-4736 (USA Only)

**Europe:** Galway, Ireland • E-mail: [europe@pemnet.com](mailto:europe@pemnet.com) • Tel: +353-91-751714 • Fax: +353-91-753541

**Asia/Pacific:** Singapore • E-mail: [singapore@pemnet.com](mailto:singapore@pemnet.com) • Tel: +65-6-745-0660 • Fax: +65-6-745-2400  
Shanghai, China • E-mail: [china@pemnet.com](mailto:china@pemnet.com) • Tel: +86-21-5868-3688 • Fax: +86-21-5868-3988

Visit our **PEMNET<sup>™</sup>** Resource Center at [www.pemnet.com](http://www.pemnet.com)

**PSP3\_MM-408**  
Rev. 211